



ARD 50 Immersion Fitting

Modular Fitting with an Extraordinary Range of Functions for a Single Sensor

The fitting is used for measuring in tanks, basins and channels. For maximum flexibility, it offers numerous functions that can be freely combined. The special design facilitates sensor replacement. High-quality PP-H or PVDF makes it very sturdy.

Applications

- PP-H: Water, wastewater, industrial water
- PVDF: Chemical and petrochemical industry, power plants, electroplating, ore processing

Facts and Features

- High variability — adaptable to virtually every process
- Safe functioning, easy maintenance thanks to a special and unique design
- Easy removal/installation of the sensor adapter with just ½ turn of a coupling nut (manual)
- Removal of the sensor adapter through the top or from the bottom of the immersion pipe
- No cable twisting during sensor installation
- Sensor adapter: PG 13.5 / SE 655, SE 656 (G ¾") / ¾" NPT
- Rinse function for cleaning the sensor without opening or dismantling the fitting (PG 13.5, internal supply of rinse medium incl. check valve)
- Immersion depths: 25 – 250 cm
- Materials: PP-H, PVDF
- High pressure and temperature resistance
- Wetting cup
- Process connections: flange DN 50 – DN 100 or ANSI 2"– 4", optionally with sliding flange bushing
- wall holder
- catenary suspension (also as submersible version)
- pipe clamp
- Cable glands: EPDM cap with cable support sleeves and strain relief, submersible cable glands
- Stainless steel bracket for strain relief of the sensor cable

Catenary suspension

Ambient side with cable gland

Plastic tube with special sleeve geometry
25 ... 250 cm long



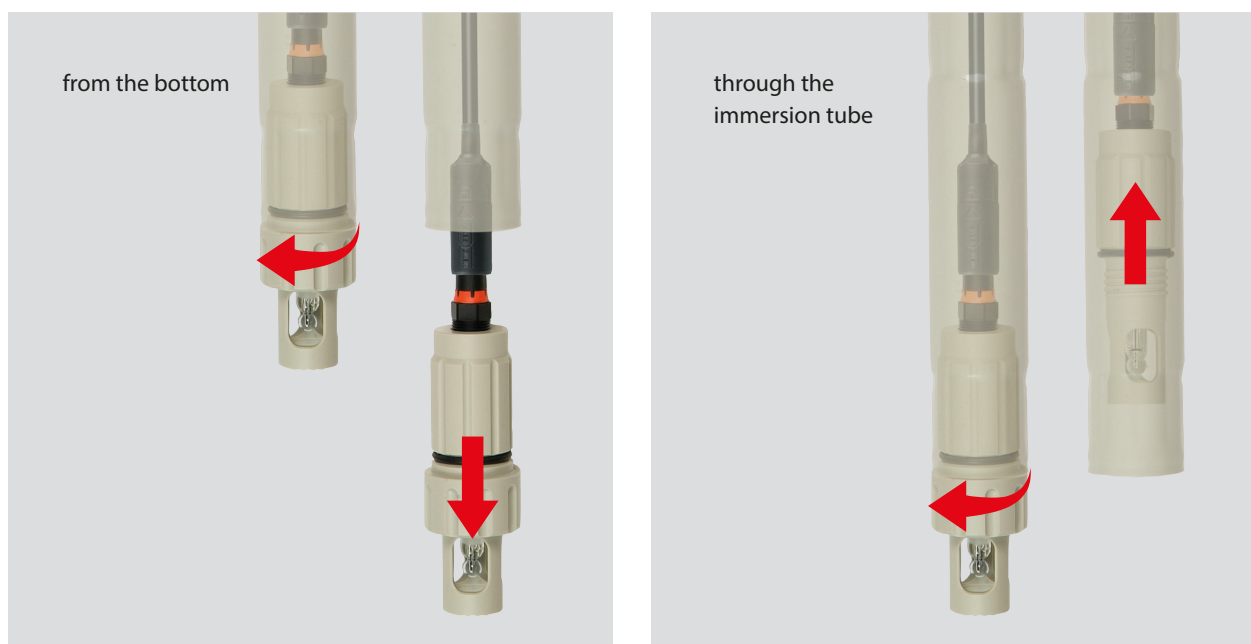
Sensor adapter

ARD 50 Immersion Fitting

Specifications

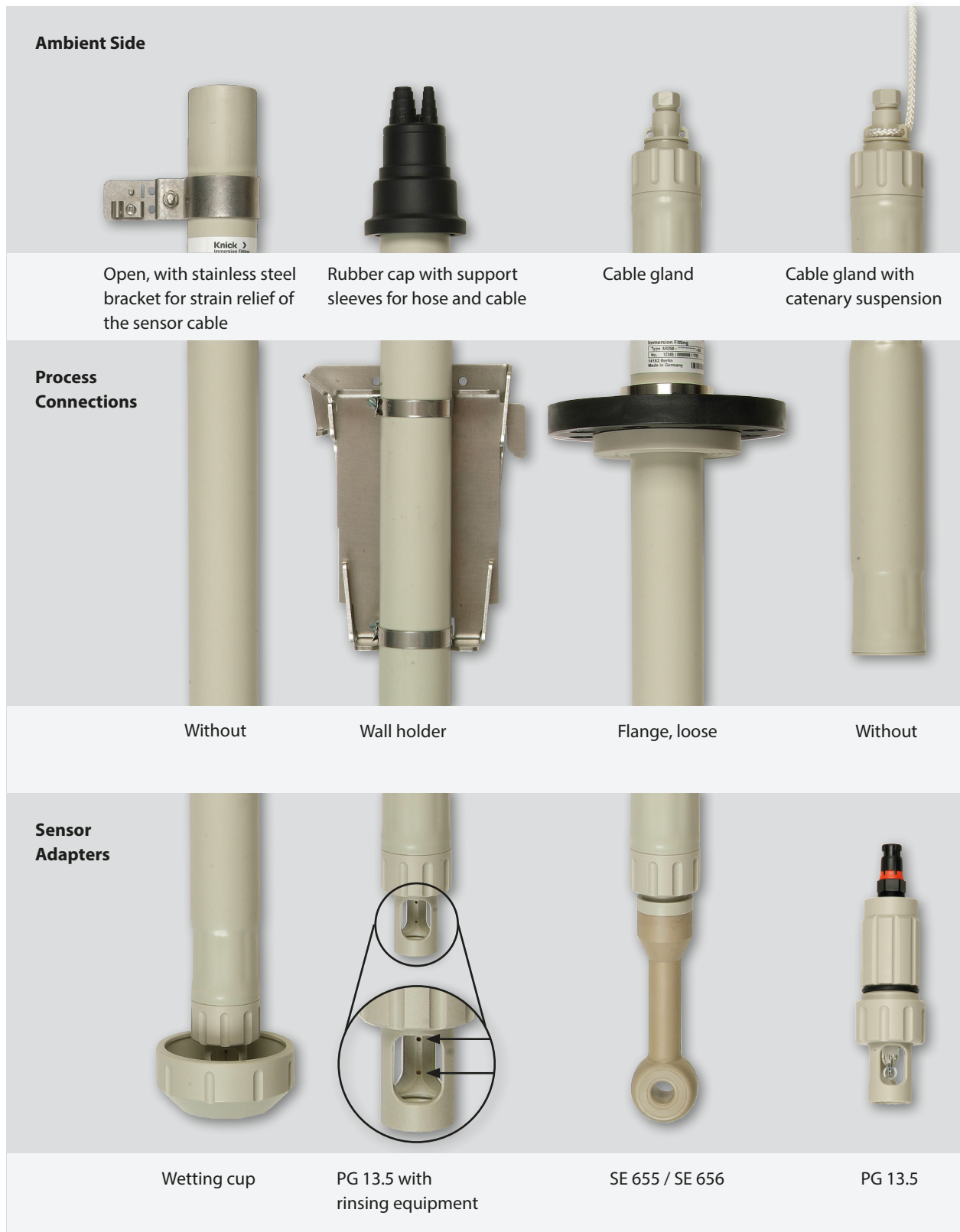
Sensors	Ø12 mm, length 120 mm, thread PG 13.5 / SE 655, SE 656 / thread ¾" NPT	
Diameter	50 mm	
Process pressure/temperature	See diagram	
Process connections	Loose flange EN 1092-1	DN50 / DN65 / DN80 / DN100
	Loose flange ANSI B 16.5/150 lbs	2" / 2½" / 3" / 4"
	Wall holder	Stainless steel 1.4571
	Catenary suspension	Also as submersible version
	Pipe clamp	Adjustable stop, stainless steel 1.4571
Wetted materials	Fitting	PP-H/PVDF
	Sealing material	EPDM / FKM / FFKM / FFKM Perlast G75B
	Rinsing	PEEK, Hastelloy
	Catenary suspension	Rope: polyamide
Sensor protection in the process	Probe guard integrated in the sensor adapter for sensors with 12 mm dia., 120 mm length, PG 13.5 thread	
Immersion depth	250, 500, 1000, 1500, 2000, 2500 mm [special lengths (in cm) available on request]	
Rinsing	Hose	NW 6 mm
	Material	EPDM
	Check valve in the sensor adapter	
Transport and storage temperature	14 ... 158 °F (-10 ... 70 °C)	
Ambient temperature	Material: PP-H	23 ... 131 °F (-5 ... 55 °C)
	Material: PVDF	5 ... 131 °F (-15 ... 55 °C)
Protection according to EN 60529	Ambient side open	IP10
	Ambient side with rubber cap	IP65
	Ambient side cable gland	IP68 (immersion depth: 10 m permanently) and IP66

Removing the Sensor Adapter for Replacing the Sensor



Modular System

This immersion fitting comes in 6 different nominal lengths (special lengths on request).
The modular system is completed by various cable glands, process connections and sensor adapters.



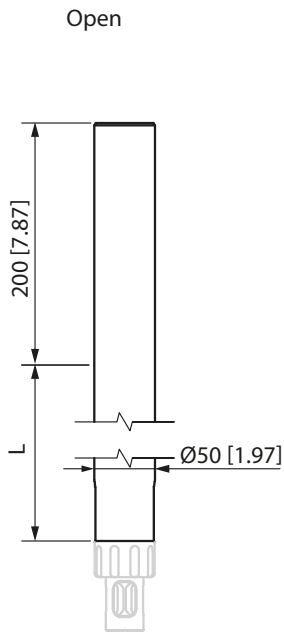
ARD 50 Immersion Fitting

Product Range

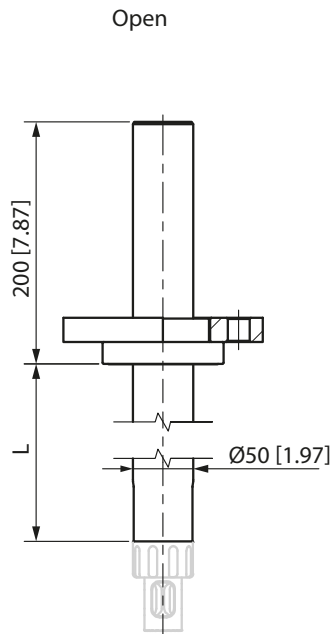
Immersion fitting	ARD 50-	N																		
Material of fitting	PP-H	P																		
	PVDF	D																		
Sensor adapter	1 x PG 13.5	1																		
	1 x PG 13.5; with rinse function	2																		
	SE 655 (X) / SE 656 (X)	5																		
	3/4" NPT	6																		
Sensor adapter with wetting cup	1 x PG 13.5	A																		
	1 x PG 13.5; with rinse function	B																		
Gasket material	FKM	A																		
	EPDM	B																		
	FFKM	K																		
	FFKM Perlast G75B	L																		
Process connection	Flange, loose, PN10/16, DN 50	0 B 1																		
	Flange, loose, PN10/16, DN 65	0 B 2																		
	Flange, loose, PN10/16, DN 80	0 B 3																		
	Flange, loose, PN10/16, DN 100	0 B 4																		
	Flange, loose, PN 10/16, DN 50, sliding flange bushing	V B 1																		
	Flange, loose, PN 10/16, DN 65, sliding flange bushing	V B 2																		
	Flange, loose, PN 10/16, DN 80, sliding flange bushing	V B 3																		
	Flange, loose, PN 10/16, DN 100, sliding flange bushing	V B 4																		
	Flange, loose, ANSI, 150 lbs, 2"	0 D 1																		
	Flange, loose, ANSI, 150 lbs, 2.5"	0 D 2																		
	Flange, loose, ANSI, 150 lbs, 3"	0 D 3																		
	Flange, loose, ANSI, 150 lbs, 4"	0 D 5																		
	Flange, loose, ANSI, 150 lbs, 2", sliding flange bushing	V D 1																		
	Flange, loose, ANSI, 150 lbs, 2.5", sliding flange bushing	V D 2																		
	Flange, loose, ANSI, 150 lbs, 3", sliding flange bushing	V D 3																		
	Flange, loose, ANSI, 150 lbs, 4", sliding flange bushing	V D 5																		
	Wall holder with locking function, stainless steel 1.4571	W 0 0																		
	Catenary suspension	S 0 0	B/D/E/F																	
	Catenary suspension, submersible version with weight	S T 0	E	0	2	5														
	Pipe clamp with adjustable stop	R 0 0																		
Without process connection	0 0 0																			
Ambient side	Open	A																		
	Open, stainless steel bracket for cable strain relief	B																		
	Rubber cap	C																		
	Rubber cap, stainless steel bracket for cable strain relief	D																		
	Cable gland	E																		
	Cable gland, stainless steel bracket for cable strain relief	F																		
Nominal body length [cm]	25							0	2	5										
	50							0	5	0										
	100							1	0	0										
	150							1	5	0										
	200							2	0	0										
	250							2	5	0										
	Special length (25 cm minimum)							*	*	*										
Special version	Without																0	0	0	
	Customer-specific special data sheet																F			

Dimension Drawings

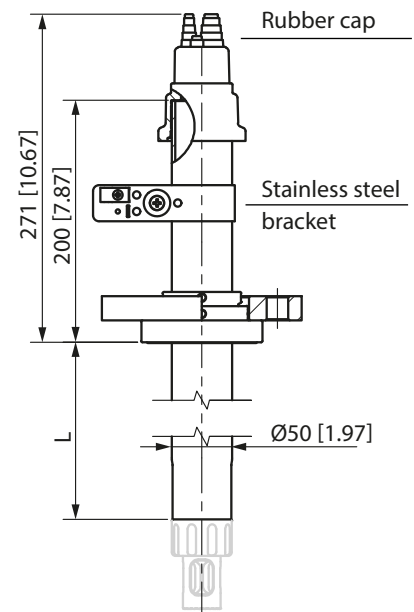
Base Body



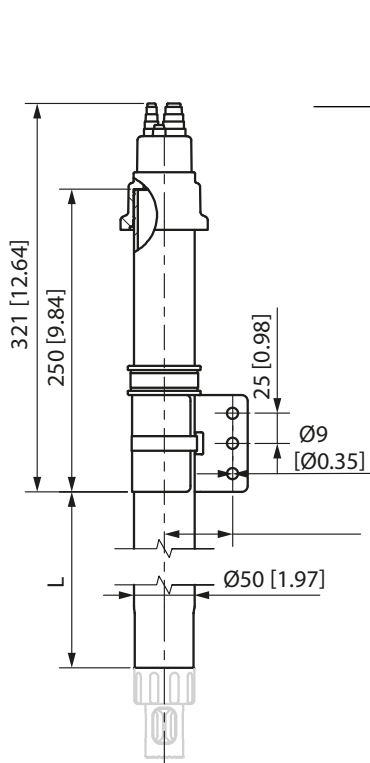
Without process connection



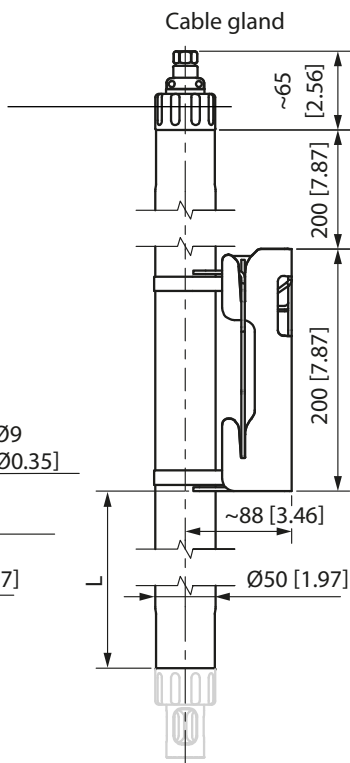
Loose flange, fixed flange bushing



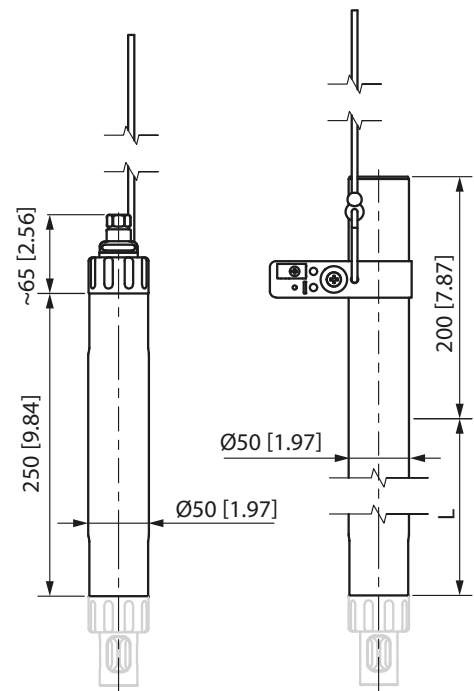
Loose flange, sliding flange bushing



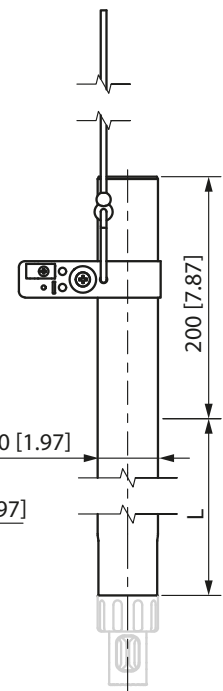
Pipe clamp



Wall holder



Submersible version with catenary suspension

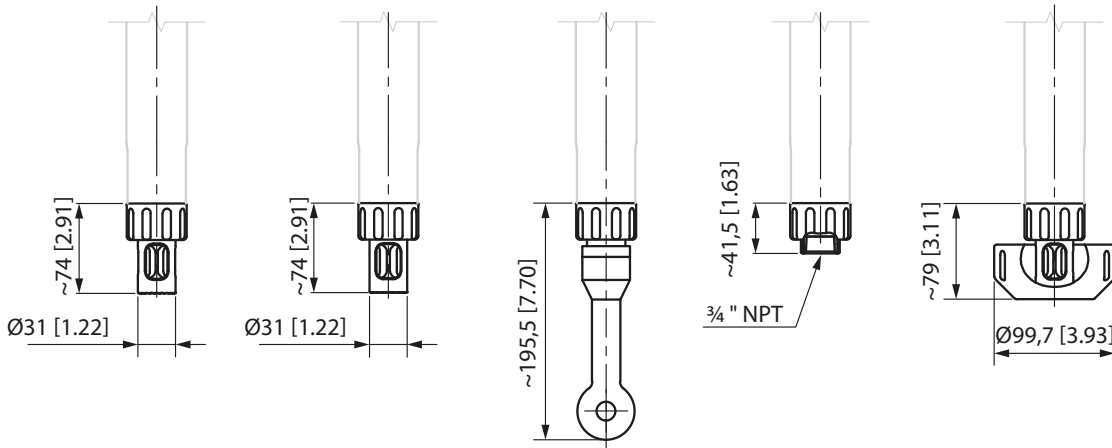


Catenary suspension

ARD 50 Immersion Fitting

Dimension Drawings

Sensor Adapters



PG 13.5

PG 13.5 with
rinse function

SE 655/656

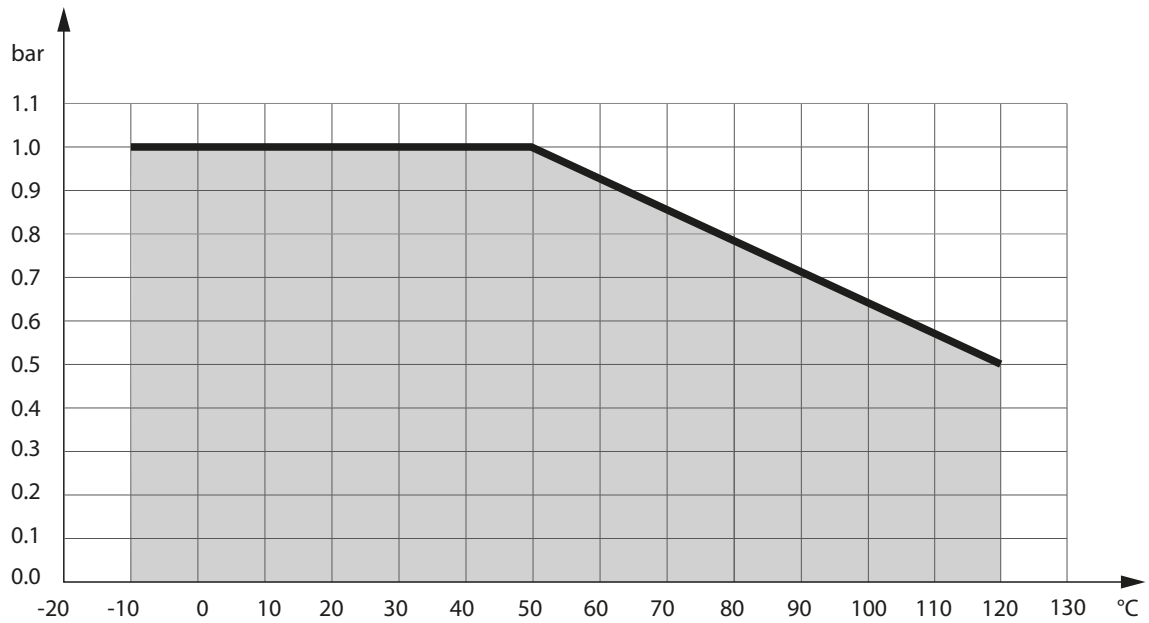
$\frac{3}{4}$ " NPT

PG 13.5 with
wetting cup

All dimensions in mm [inches]

Process Pressure/Temperature Diagram

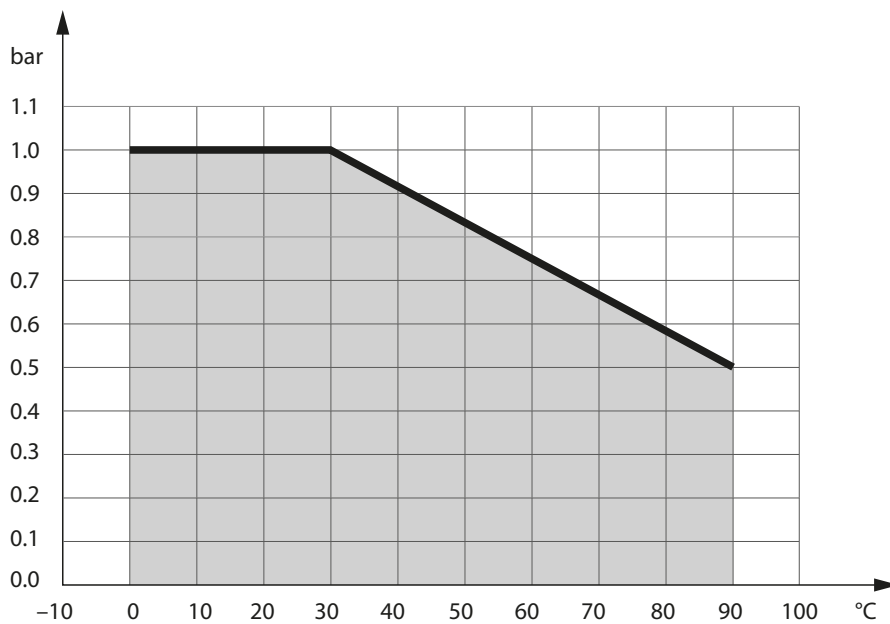
Material: PVDF



ARD 50 Immersion Fitting

Process Pressure/Temperature Diagram

Material: PP-H



Email: sales@dp-flow.co.uk
Sales: +44(0) 1608 544222