

# Flow-Through Fittings

Water



## ARF 101 Flow-Through Fitting

PVC flow-through fitting for direct mounting of a 12-mm sensor

Easy mounting with adhesive sleeve, directly in the pipeline. For all sensors with Pg 13.5 connection, 12 mm diameter, and 120 mm length.

### Facts

- material: PVC
- DN 50 adhesive sleeve
- for sensors with Pg 13.5 connection

### Applications

industrial water, surface water, water processing; clean to moderately polluted waters

### Product Line

ARF 101 Flow-Through Fitting

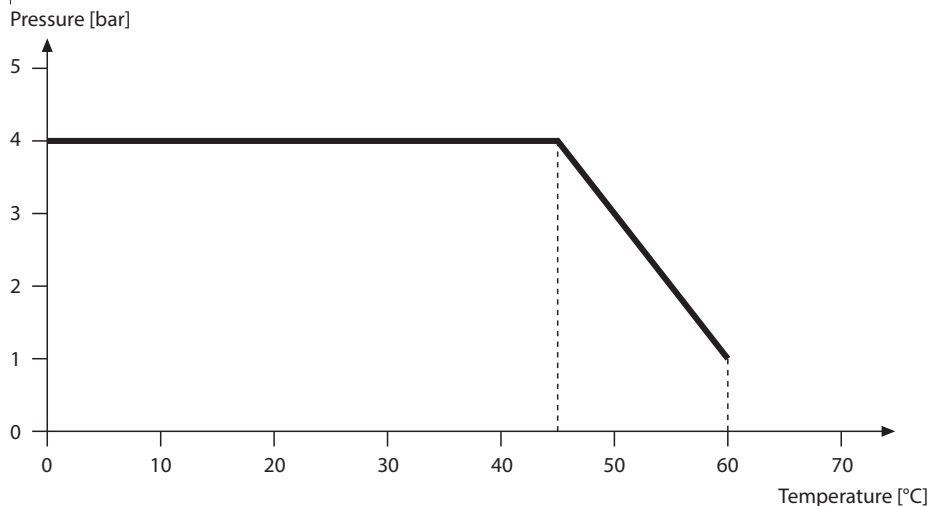
### Order No.

ARF 101

### Specifications

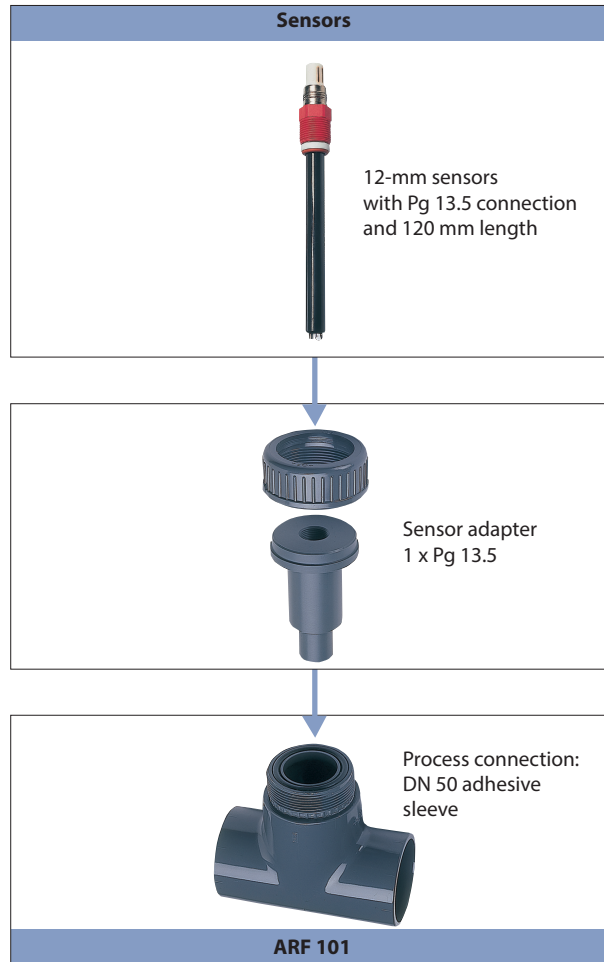
Material:	PVC
Process wetted gaskets:	FKM (Viton)
Process connection:	DN 50 (d = 63 mm) adhesive sleeve
Pressure:	4 bars (45 °C), 1 bar (60 °C)
Temperature:	max. 60 °C
Sensor locations:	1 x Pg 13.5
Sensors:	Pg 13.5, L = 120 mm

### Pressure/Temperature Diagram



### Modular System

This flow-through fitting is available complete with sensor adaptor and adhesive sleeve.



### Dimension Drawing

