

ARF 201 Flow-Through Fitting

Molded plastic flow-through fitting with one sensor location

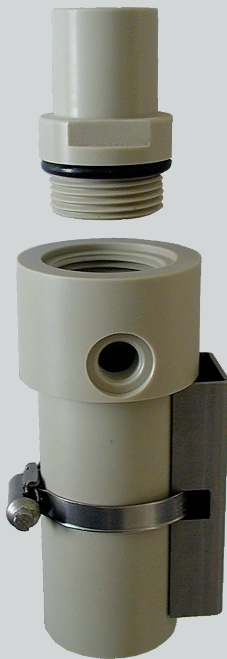
Compact flow-through fitting for one sensor, measurement preferably in bypass, also for corrosive media. An adapter allows connecting sensors using different mounting techniques. Material: polypropylene; process connection: female G 1/4", or NPT 1/4".

Applications

Moderately contaminated process media

Facts and Features

- Material: polypropylene
- For sensors with G 1" or NPT 1" connection
- With adapter for sensors with PG 13.5 connection
- Flow direction 90°
- Process connection via G 1/4" female thread or NPT 1/4"



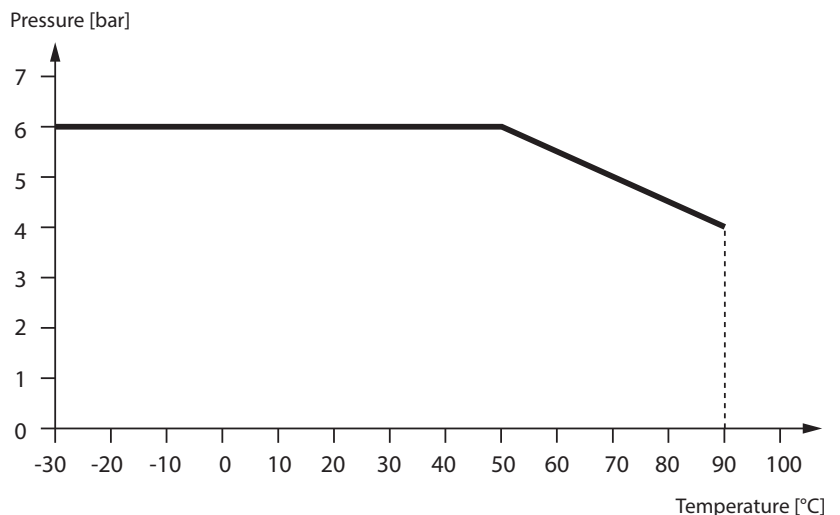
Product Range

| | | Order No. |
|------------------------------|--------------------------------------|--------------------|
| ARF 201 flow-through fitting | G 1", PP-H, G 1/4" female thread | ARF 201 |
| | NPT 1", PP-H, NPT 1/4" female thread | ARF 201/NPT |

Specifications

| | |
|---------------------|---|
| Material: | PP-H |
| Process connection: | Female thread G 1/4" or NPT 1/4" |
| Pressure: | Max. 6 bar (50 °C), 4 bar (90 °C) |
| Temperature: | 0 ... 90 °C |
| Sensor locations: | 1 x G 1" incl. gasket 30 x 4 (EPDM) 1 x NPT 1" |
| Sensors: | 1 x PG 13.5 with ZU 0323 adapter For 12-mm sensors with PG 13.5 or sensors with G 1" |

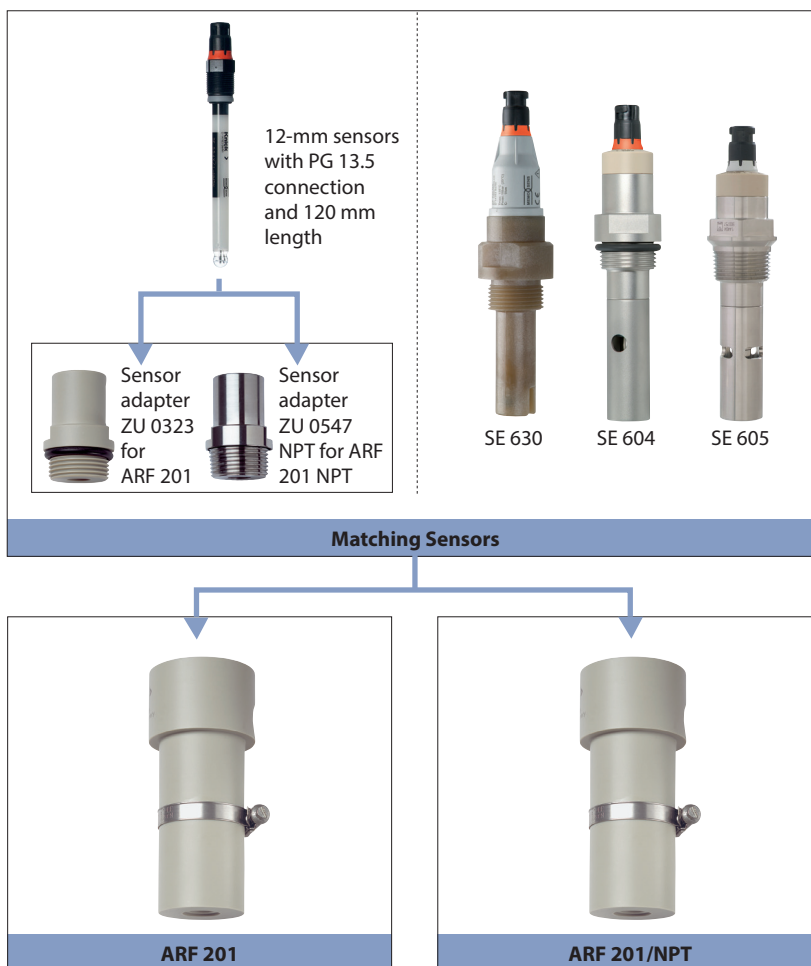
Pressure/Temperature Diagram



ARF 201 Flow-Through Fitting

Modular System

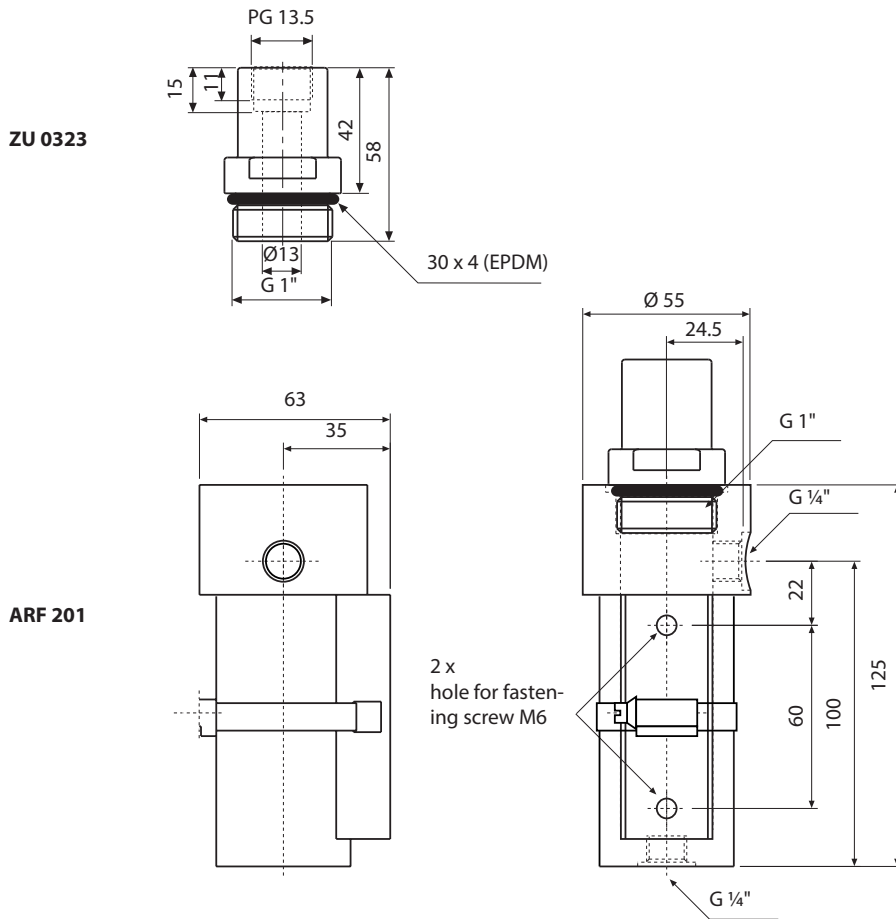
The ZU 0323 sensor adapter for ARF 201 flow-through fittings is available if 12-mm sensors must be used.



Accessories

| | | | Order No. |
|--------------------------|-------------|---|--------------------|
| Adapter for ARF 201 | For sensors | with PG 13.5 Material: PP-H Gasket: EPDM 30 x 4 | ZU 0323 |
| Adapter for ARF 201/ NPT | For sensors | with PG 13.5 Material: 1.4571 Connection: NPT 1" thread | ZU 0547/NPT |

Dimension Drawing



ARF 201 Flow-Through Fitting

Dimension Drawing

