

# Sensors for pH Measurement

Energy

Water



## SE 560 pH Sensor

**For low-conductivity media or low temperatures, refillable liquid electrolyte**

Precise measurements due to self-cleaning junctions with high outflow of electrolyte even for media of very low conductivity. Measurement at low temperatures possible.

### Applications

Low-temperature applications, cooling brine, electroplating, low-conductivity media

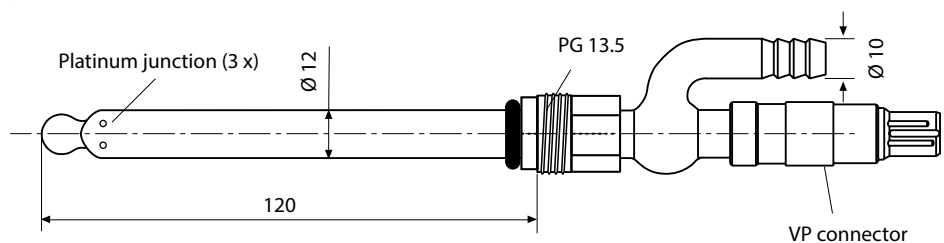
### Facts

- Precise measurement under difficult conditions (low conductivity, contaminations)
- Integrated temperature detector
- Measurement at low temperatures
- 3 ceramic junctions
- VP connector
- Alpha glass, medium impedance, universal glass, fluoride resistant

### Specifications

pH:	0 ... 14
Temperature:	-20 ... +80 °C
Pressure, relative:	-1 ... +0.5 bar
Temperature detector:	Pt1000
Sensor material:	Alpha glass
Reference system:	Ag/AgCl, liquid electrolyte, refillable
Junction:	Platinum (3 x)
Length:	120 mm
Process adaptation:	PG 13.5
Sensor connector:	VP (VarioPin)

### Dimension Drawing



All dimensions in mm

<b>Product Range</b>	<b>Length</b>	<b>Order No.</b>
SE 560 pH sensor	120 mm	SE 560

<b>Accessories</b>	<b>Length</b>	<b>Order No.</b>
VP6-ST cable	3 m	CA/VP6ST-003A
	5 m	CA/VP6ST-005A
	10 m	CA/VP6ST-010A
	20 m	CA/VP6ST-020A

<b>CaliMat Buffer Solutions (20 °C)</b>	<b>Quantity</b>	<b>Order No.</b>
pH value 2.00 ± 0.02	250 ml	CS-P0200/250
	1000 ml	CS-P0200/1000
pH value 4.00 ± 0.02	250 ml	CS-P0400/250
	1000 ml	CS-P0400/1000
	3000 ml	CS-P0400/3000
pH value 7.00 ± 0.02	250 ml	CS-P0700/250
	1000 ml	CS-P0700/1000
	3000 ml	CS-P0700/3000
pH value 9.00 ± 0.02	250 ml	CS-P0900/250
	1000 ml	CS-P0900/1000
	3000 ml	CS-P0900/3000
pH value 12.00 ± 0.05	250 ml	CS-P1200/250
Electrolyte	250 ml	ZU 0958
Electrolyte reservoir		ZU 0321
Equipotential bonding electrode	Platinum; for monitoring the reference system of the pH sensor or for simultaneous ORP measurement	ZU 0073

# Sensors for pH Measurement

Energy

Water

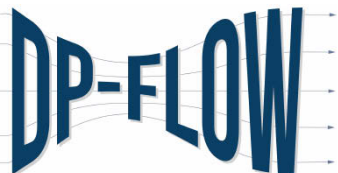
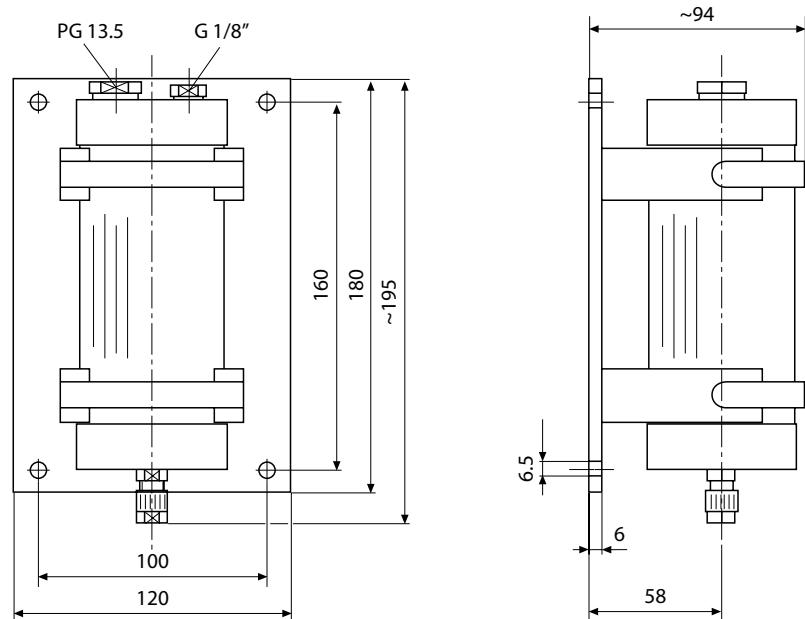
## SE 560 pH Sensor

### Accessories/Specifications

ZU 0321  
electrolyte reservoir

Material:	Hard PVC, transparent
Useful capacity:	300 ml
Pressure:	Unpressurized
Sensor locations:	1 x PG 13.5 for use as electrolytic key
Hose connection:	Coupling for 4/6 x 1 mm hose (5 m hose 4/6 x 1, PVC, and adapter for 10 mm hose clip, included in shipment)
Refill:	G 1/8" hole with screw plug
Assembly:	Wall holder

### Dimension Drawing:



www: [www.dp-flow.co.uk](http://www.dp-flow.co.uk) email: [sales@dp-flow.co.uk](mailto:sales@dp-flow.co.uk)

All dimensions in mm